

GKLS Lid Stay

Upward opening

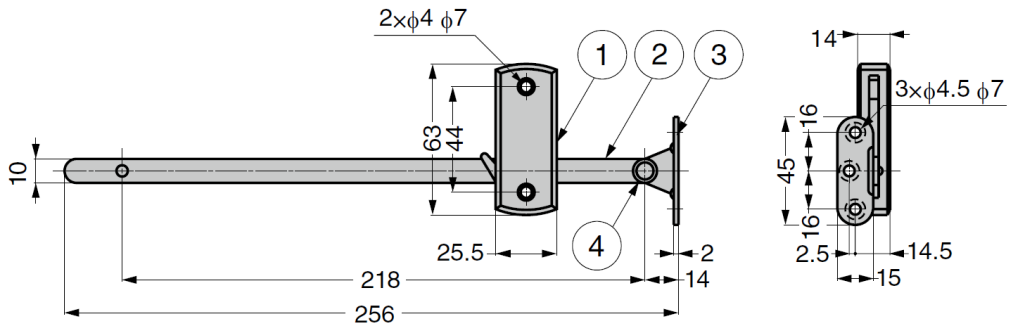
Opening Direction	Description
<p>Upward-opening</p>	Stops When Fully Opened, Right-handed Only

Features

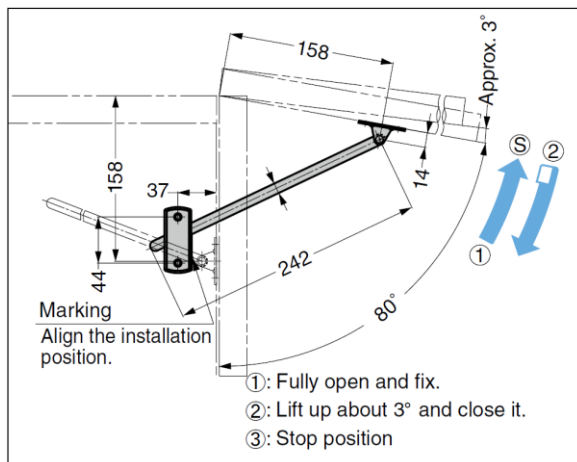
- Holds the door in fully opened position
- Lift up the door to release the stopper
- Easy installation with a marking on the body for indicating installation position

Notes

- Right side installation only
- Max. door height is 300 mm
- Height more than 300 mm or applying force to the front end may cause deformation and damage



Installation (with single knuckle hinge)



No.	Part Name	Material	Finish/Colour
①	Body	PA	White
②	Arm	Steel (SS)	Nickel
③	Bracket	Steel (SPCC)	
④	Spring	Steel	-

Part No.	Door Weight
GKLS	Max. 8 kg